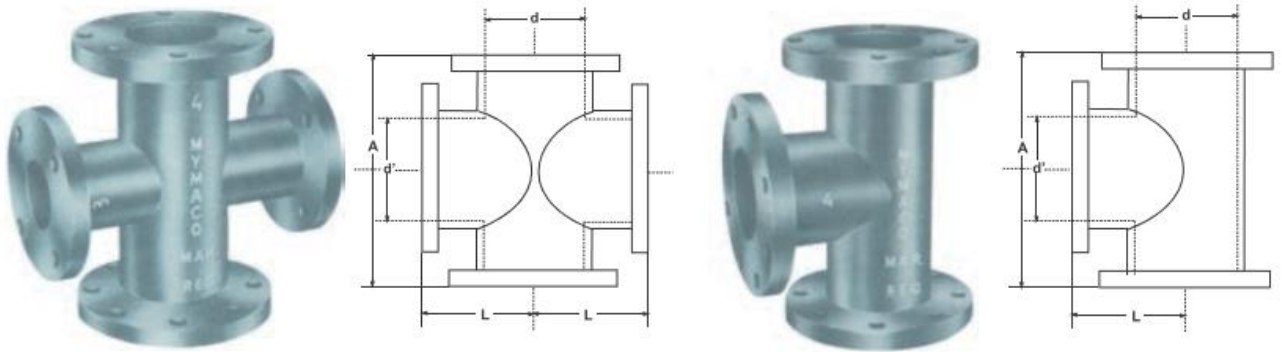




ALESMA GRUPO INTEGRAL, S.A. DE C.V.

CRUCES Y TEES AWWA C 110



DIÁMETRO NOMINAL			DISTANCIAS				ESPESOR DE LA PARED				PESO APROX.	
d	d	dxd'	L		A		D. may		D. men.		TEE	CRUZ
mm	mm	plg	mm	plg	mm	plg	Mm	plg	mm	plg	Kg	Kg
50.8	50.8	2 X 2	114.3	4-1/2	228.6	9	11.1	7/16	11.1	7/16	10	12
63.5	50.8	2-1/2 X 2	127.0	5	254.0	10	11.1	7/16	11.1	7/16	12	15
63.5	63.5	2-1/2 X 2-1/2	127.0	5	254.0	10	11.1	7/16	11.1	7/16	13	17
76.2	50.8	3 X 2	139.7	5-1/2	279.4	11	11.1	7/16	11.1	7/16	15	18
76.2	63.5	3 X 2-1/2	139.7	5-1/2	279.4	11	11.1	7/16	11.1	7/16	16	19
76.2	76.2	3 X 3	139.7	5-1/2	279.4	11	11.1	7/16	11.1	7/16	17	21
101.6	50.8	4 X 2	165.1	6-1/2	330.2	13	12.7	1/2	11.1	7/16	23	26
101.6	63.5	4 X 2-1/2	165.1	6-1/2	330.2	13	12.7	1/2	11.1	7/16	24	28
101.6	76.2	4 X 3	165.1	6-1/2	330.2	13	12.7	1/2	11.1	7/16	25	29
101.6	101.6	4 X 4	165.1	6-1/2	330.2	13	12.7	1/2	12.7	1/2	28	35
152.4	50.8	6 X 2	203.2	8	406.4	16	14.3	9/16	11.1	7/16	37	40
152.4	63.5	6 X 2-1/2	203.2	8	406.4	16	14.3	9/16	11.1	7/16	38	42
152.4	76.2	6 X 3	203.2	8	406.4	16	14.3	9/16	11.1	7/16	39	43
152.4	101.6	6 X 4	203.2	8	406.4	16	14.3	9/16	12.7	1/2	42	49
152.4	152.4	6 X 6	203.2	8	406.4	16	14.3	9/16	14.3	9/16	45	57
203.2	63.3	8 X 2-1/2	228.6	9	457.2	18	15.9	5/8	11.1	7/16	59	64
203.2	76.2	8 X 3	228.6	9	457.2	18	15.9	5/8	11.1	7/16	60	65
203.2	101.6	8 X 4	228.6	9	457.2	18	15.9	5/8	12.7	1/2	63	71
203.2	152.4	8 X 6	228.6	9	457.2	18	15.9	5/8	14.3	9/16	66	77
203.2	203.2	8 X 8	228.6	9	457.2	18	15.9	5/8	15.9	5/8	72	88
254.0	63.5	10 X 2-1/2	279.4	11	558.8	22	19.1	3/4	11.1	7/16	95	100

AV. RENO LT 47 MZA 187, COL. LOS OLIVOS, ALCALDIA TLAHUAC, C.P. 13210, CDMX

TEL OFICINA: 557155.1175
557095.7419
MOVIL: 558813.3792

SITIO WEB: WWW.ALESMA.MX



ALESMA GRUPO INTEGRAL, S.A. DE C.V.

254.0	76.2	10 X 3	279.4	11	558.8	22	19.1	¾	11.1	7/16	96	101
254.0	101.6	10 X 4	279.4	11	558.8	22	19.1	¾	12.7	½	99	108
254.0	152.4	10 X 6	279.4	11	558.8	22	19.1	¾	14.3	9/16	103	115
254.0	203.2	10 X 8	279.4	11	558.8	22	19.1	¾	15.9	5/8	108	127
254.0	254	10 X 10	279.4	11	558.8	22	19.1	¾	19.1	3/4	115	140
304.8	76.2	12 X 3	304.8	12	609.6	24	20.6	13/16	11.1	7/16	138	141
304.8	101.6	12 X 4	304.8	12	609.6	24	20.6	13/16	12.7	½	142	148
304.8	152.4	12 X 6	304.8	12	609.6	24	20.6	13/16	14.3	9/16	148	155
304.8	203.2	12 X 8	304.8	12	609.6	24	20.6	13/16	15.9	5/8	155	167
304.8	254.0	12 X 10	304.8	12	609.6	24	20.6	13/16	19.1	¾	164	180
304.8	304.8	12 X 12	304.8	12	609.6	24	20.6	13/16	20.6	13/16	174	198
355.6	76.2	14 X 3	355.6	14	711.2	28	22.2	7/8	11.1	7/16	193	199
355.6	101.6	14 X 4	355.6	14	711.2	28	22.2	7/8	12.7	½	197	203
355.6	152.4	14 X 6	355.6	14	711.2	28	22.2	7/8	14.3	9/16	204	211
355.6	203.2	14 X 8	355.6	14	711.2	28	22.2	7/8	15.9	5/8	212	224
355.6	254.0	14 X 10	355.6	14	711.2	28	22.2	7/8	19.1	¾	223	239
355.6	304.8	14 X 12	355.6	14	711.2	28	22.2	7/8	20.6	13/16	235	259
355.6	355.6	14 X 14	355.6	14	711.2	28	22.2	7/8	22.2	7/8	245	274
406.4	101.6	16 X 4	381.0	15	762.0	30	25.4	1	12.7	½	253	261
406.4	152.4	16 X 6	381.0	15	762.0	30	25.4	1	14.3	9/16	256	268
406.4	203.2	16 X 8	381.0	15	762.0	30	25.4	1	15.9	5/8	262	279
406.4	254.0	16 X 10	381.0	15	762.0	30	25.4	1	19.1	¾	268	292
406.4	304.8	16 X 12	381.0	15	762.0	30	25.4	1	20.6	13/16	278	312
406.4	355.6	16 X 14	381.0	15	762.0	30	25.4	1	22.2	7/8	285	326
406.4	406.4	16 X 16	381.0	15	762.0	30	25.4	1	25.4	1	298	352
457.2	101.6	18 X 4	393.7	15-1/2	660.4	26	27.0	1-1/16	12.7	½	313	322
457.2	152.4	18 X 6	393.7	15-1/2	660.4	26	27.0	1-1/16	14.3	9/16	316	328
457.2	203.2	18 X 8	393.7	15-1/2	660.4	26	27.0	1-1/16	15.9	5/8	322	340
457.2	254.0	18 X 10	393.7	15-1/2	660.4	26	27.0	1-1/16	19.1	¾	329	354
457.2	304.8	18 X 12	393.7	15-1/2	660.4	26	27.0	1-1/16	20.6	13/16	339	376
457.2	355.6	18 X 14	393.7	16-1/2	838.2	33	27.0	1-1/16	22.2	7/8	346	387
457.2	406.4	18 X 16	393.7	16-1/2	838.2	33	27.0	1-1/16	25.4	1	359	413
457.2	457.2	18 X 18	393.7	16-1/2	838.2	33	27.0	1-1/16	27.0	1-1/16	365	425
508.0	101.6	20 X 4	431.8	17	711.2	28	28.6	1-1/8	12.7	½	398	407
508.0	152.4	20 X 6	431.8	17	711.2	28	28.6	1-1/8	14.3	9/16	402	414
508.0	203.2	20 X 8	431.8	17	711.2	28	28.6	1-1/8	15.9	5/8	407	426
508.0	254	20 X 10	431.8	17	711.2	28	28.6	1-1/8	19.1	¾	415	440
508.0	304.8	20 X 12	431.8	17	711.2	28	28.6	1-1/8	20.6	13/16	424	459
508.0	355.6	20 X 14	431.8	17	711.2	28	28.6	1-1/8	22.2	7/8	432	474
508.0	406.4	20 X 16	457.2	18	914.4	36	28.6	1-1/8	25.4	1	444	499
508.0	457.2	20 X 18	457.2	18	914.4	36	28.6	1-1/8	27.0	1-1/16	450	511
508.0	508.0	20 X 20	457.2	18	914.4	36	28.6	1-1/8	28.6	1-1/8	465	540
609.6	101.6	24 X 4	482.6	19	762.0	30	31.8	1-1/4	12.7	½	626	637
609.6	152.4	24 X 6	482.6	19	762.0	30	31.8	1-1/4	14.3	9/16	631	649
609.6	203.2	24 X 8	482.6	19	762.0	30	31.8	1-1/4	15.9	5/8	640	665
609.6	254.0	24 X 10	482.6	19	762.0	30	31.8	1-1/4	19.1	¾	650	685
609.6	304.8	24 X 12	482.6	19	762.0	30	31.8	1-1/4	20.6	13/16	662	709
609.6	355.6	24 X 14	482.6	19	762.0	30	31.8	1-1/4	22.2	7/8	672	730
609.6	406.4	24 X 16	482.6	19	762.0	30	31.8	1-1/4	25.5	1	686	758
609.6	457.2	24 X 18	458.8	22	1117.6	44	31.8	1-1/4	27.0	1-1/16	693	773
609.6	508.0	24 X 20	458.8	22	1117.6	44	31.8	1-1/4	28.6	1-1/8	714	800
609.6	609.6	24 X 24	458.8	22	1117.6	44	31.8	1-1/4	31.8	1-1/4	731	848
762.0	101.6	30 X 4	584.2	23	914.4	36	36.5	1-7/16	12.7	1/2	994	1005
762.0	152.4	30 X 6	584.2	23	914.4	36	36.5	1-7/16	14.3	9/16	999	1016
762.0	203.2	30 X 8	584.2	23	914.4	36	36.5	1-7/16	15.9	5/8	1007	1032

AV. RENO LT 47 MZA 187, COL. LOS OLIVOS, ALCALDIA TLAHUAC, C.P. 13210, CDMX

TEL OFICINA: 557155.1175
557095.7419
MOVIL: 558813.3792

SITIO WEB: WWW.ALESMA.MX



ALESMA GRUPO INTEGRAL, S.A. DE C.V.

762.0	254.0	30 X 10	584.2	23	914.4	36	36.5	1-7/16	19.1	¾	1017	1052
762.0	304.8	30 X 12	584.2	23	914.4	36	36.5	1-7/16	20.6	13/16	1029	1076
762.0	355.6	30 X 14	584.2	23	914.4	36	36.5	1-7/16	22.2	7/8	1040	1097
762.0	406.4	30 X 16	584.2	23	914.4	36	36.5	1-7/16	25.4	1	1053	1124
762.0	457.2	30 X 18	584.2	23	914.4	36	36.5	1-7/16	27.0	1-1/16	1060	1138
762.0	508.0	30 X 20	584.2	23	914.4	36	36.5	1-7/16	28.6	1-1/8	1074	1165
762.0	609.6	30 X 24	635.0	25	1270.0	50	36.5	1-7/16	31.8	1-1/4	1098	1213
762.0	762.0	30 X 30	635.0	25	1270.0	50	36.5	1-7/16	36.5	1-7/16	1134	1287
914.4	152.4	36 X 6	660.4	26	1016.0	40	41.3	1-5/8	14.3	9/16	1503	1519
914.4	203.2	36 X 8	660.4	26	1016.0	40	41.3	1-5/8	15.9	5/8	1511	1535
914.4	254.0	36 X 10	660.4	26	1016.0	40	41.3	1-5/8	19.1	¾	1520	1555
914.4	304.8	36 X 12	660.4	26	1016.0	40	41.3	1-5/8	20.6	13/16	1532	1579
914.4	355.6	36 X 14	660.4	26	1016.0	40	41.3	1-5/8	22.2	7/8	1542	1599
914.4	406.4	36 X 16	660.4	26	1016.0	40	41.3	1-5/8	25.4	1	1556	1625
914.4	457.2	36 X 18	660.4	26	1016.0	40	41.3	1-5/8	27.0	1-1/16	1563	1639
914.4	508.0	36 X 20	660.4	26	1016.0	40	41.3	1-5/8	28.6	1-1/8	1576	1665
914.4	609.6	36 X 24	660.4	26	1016.0	40	41.3	1-5/8	31.8	1-1/4	1600	1714
914.4	762.0	36 X 30	711.2	28	1422.4	56	41.3	1-5/8	36.5	1-7/16	1636	1787
914.4	914.4	36 X 36	711.2	28	1422.4	56	41.3	1-5/8	41.3	1-5/8	1678	1870

AV. RENO LT 47 MZA 187, COL. LOS OLIVOS, ALCALDIA TLAHUAC, C.P. 13210, CDMX

TEL OFICINA: 557155.1175
557095.7419

MOVIL: 558813.3792

SITIO WEB: WWW.ALESMA.MX