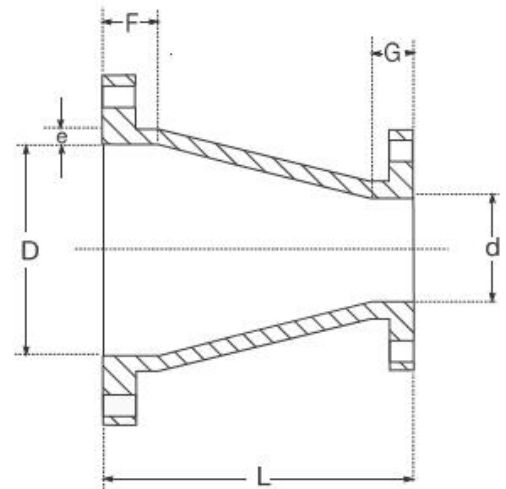




ALESMA GRUPO INTEGRAL, S.A. DE C.V.

REDUCCIONES AWWA C 110



DIAMETRO NOMINAL		DISTANCIAS						ESPESOR DE LA PARED		PESO APROX.
D x d	D x d	L		F		G				
mm	plg	mm	plg	mm	Plg	mm	plg	mm	plg	Kg
63.5 X 50.8	2-1/2 X 2	139.7	5-1/2	31.8	1-1/4	31.8	1-1/4	11.1	7/16	6.7
76.2 x 50.8	3 x 2	152.4	6	38.1	1-1/2	38.1	1-1/2	11.1	7/16	7
76.2 x 53.5	3 x 2-1/2	152.4	6	38.1	1-1/2	38.1	1-1/2	11.1	7/16	8
101.6 x 50.8	4 x 2	177.8	7	38.1	1-1/2	38.1	1-1/2	12.7	1/2	11
101.6 x 63.5	4 x 2-1/2	177.8	7	38.1	1-1/2	38.1	1-1/2	12.7	1/2	12
101.6 x 76.2	4 x 3	177.8	7	38.1	1-1/2	38.1	1-1/2	12.7	1/2	13
152.4 x 50.8	6 x 2	228.6	9	50.8	2	38.1	1-1/2	14.3	9/16	17
152.4 x 63.5	6 x 2-1/2	228.6	9	50.8	2	38.1	1-1/2	14.3	9/16	18
152.4 x 76.2	6 x 3	228.6	9	50.8	2	38.1	1-1/2	14.3	9/16	19
152.4 x 101.6	6 x 4	228.6	9	50.8	2	38.1	1-1/2	14.3	9/16	22
203.2 x 50.8	8 x 2	279.4	11	50.8	2	38.1	1-1/2	15.9	5/8	26
203.2 x 63.5	8 x 2-1/2	279.4	11	50.8	2	38.1	1-1/2	15.9	5/8	28
203.2 x 76.2	8 x 3	279.4	11	50.8	2	38.1	1-1/2	15.9	5/8	29
203.2 x 101.6	8 x 4	279.4	11	50.8	2	38.1	1-1/2	15.9	5/8	32
203.2 x 152.4	8 x 6	279.4	11	50.8	2	50.8	2	15.9	5/8	36
254.0 x 76.2	10 x 3	304.8	12	50.8	2	38.1	1-1/2	19.1	3/4	40
254.0 x 101.6	10 x 4	304.8	12	50.8	2	38.1	1-1/2	19.1	3/4	43
254.0 x 152.4	10 x 6	304.8	12	50.8	2	50.8	2	19.1	3/4	47
254.0 x 203.2	10 x 8	304.8	12	50.8	2	50.8	2	19.1	3/4	54
304.8 x 254.0	12 x 3	355.6	14	50.8	2	38.1	1-1/2	20.6	13/16	57

AV. RENO LT 47 MZA 187, COL. LOS OLIVOS, ALCALDIA TLAHUAC, C.P. 13210, CDMX

TEL. OFICINA: 557155.1175
557095.7419
MOVIL: 558813.3792

SITIO WEB: WWW.ALESMA.MX



ALESMA GRUPO INTEGRAL, S.A. DE C.V.

304.8 x 101.6	12 x 4	355.6	14	50.8	2	38.1	1-1/2	20.6	13/16	61
304.8 x 152.4	12 x 6	356.6	14	50.8	2	50.8	2	20.6	13/16	66
304.8 x 203.2	12 x 8	356.6	14	50.8	2	50.8	2	20.6	13/16	73
304.8 x 254.0	12 x 10	356.6	14	50.8	2	50.8	2	20.6	13/16	81
356.8 x 101.6	14 x 4	406.4	16	50.8	2	38.1	1-1/2	22.2	7/8	79
356.6 x 152.4	14 x 6	406.4	16	50.8	2	50.8	2	22.2	7/8	84
356.6 x 203.2	14 x 8	406.4	16	50.8	2	50.8	2	22.2	7/8	93
356.6 x 254.0	14 x 10	406.4	16	50.8	2	50.8	2	22.2	7/8	101
356.6 x 304.8	14 x 12	406.4	16	50.8	2	50.8	2	22.2	7/8	113
406.4 x 101.6	16 x 4	457.2	18	50.8	2	38.1	2	25.4	1	106
406.4 x 152.4	16 x 6	457.2	18	50.8	2	50.8	2	25.4	1	113
406.4 x 203.2	16 x 8	457.2	18	50.8	2	50.8	2	25.4	1	123
406.4 x 254.0	16 x 10	457.2	18	50.8	2	50.8	2	25.4	1	132
406.4 x 304.8	16 x 12	457.2	18	50.8	2	50.8	2	25.4	1	146
406.4 x 355.6	16 x 14	457.2	18	50.8	2	50.8	2	25.4	1	156
457.2 x 101.6	18 x 4	482.6	19	50.8	2	50.8	1-1/2	27.0	1-1/16	124
457.2 x 152.4	18 x 6	482.6	19	50.8	2	50.8	2	27.0	1-1/16	131
457.2 x 203.2	18 x 8	482.6	19	50.8	2	50.8	2	27.0	1-1/16	141
457.2 x 254.0	18 x 10	482.6	19	50.8	2	50.8	2	27.0	1-1/16	152
457.2 x 304.8	18 x 12	482.6	19	50.8	2	50.8	2	27.0	1-1/16	166
457.2 x 355.6	18 x 14	482.6	19	50.8	2	50.8	2	27.0	1-1/16	177
457.2 x 406.4	18 x 16	482.6	19	50.8	2	50.8	2	27.0	1-1/16	191
508.0 x 152.4	20 x 6	508.0	20	76.2	3	50.8	2	27.0	1-1/8	161
508.0 x 203.2	20 x 8	508.0	20	76.2	3	50.8	2	28.6	1-1/8	172
508.0 x 254.0	20 x 10	508.0	20	76.2	3	50.8	2	28.6	1-1/8	183
508.0 x 304.8	20 x 12	508.0	20	76.2	3	50.8	2	28.6	1-1/8	198
508.0 x 355.6	20 x 14	508.0	20	76.2	3	50.8	2	28.6	1-1/8	209
508.0 x 406.4	20 x 16	508.0	20	76.2	3	50.8	2	28.6	1-1/8	223
508.0 x 457.2	20 x 18	508.0	20	76.2	3	50.8	2	28.6	1-1/8	232
609.6 x 203.2	24 x 8	609.6	24	76.2	3	50.8	2	31.8	1-1/4	252
609.6 x 254.0	24 x 10	609.6	24	76.2	3	50.8	2	31.8	1-1/4	266
609.6 x 304.8	24 x 12	609.6	24	76.2	3	50.8	2	31.8	1-1/4	283
609.6 x 355.6	24 x 14	609.6	24	76.2	3	50.8	2	31.8	1-1/4	297
609.6 x 406.4	24 x 16	609.6	24	76.2	3	50.8	2	31.8	1-1/4	313
609.6 x 457.2	24 x 18	609.6	24	76.2	3	50.8	2	31.8	1-1/4	325
609.6 x 508.0	24 x 20	609.6	24	76.2	3	76.2	3	31.8	1-1/4	343
762.0 x 304.8	30 x 12	762.0	30	76.2	3	50.8	2	36.5	1-7/16	450
762.0 x 355.6	30 x 14	762.0	30	76.2	3	50.8	2	36.5	1-7/16	469
762.0 x 406.4	30 x 16	762.0	30	76.2	3	50.8	2	36.5	1-7/16	490
762.0 x 457.2	30 x 18	762.0	30	76.2	3	50.8	2	36.5	1-7/16	506
762.0 x 508.0	30 x 20	762.0	30	76.2	3	76.2	3	36.5	1-7/16	527
762 x 609.6	30 x 24	762.0	30	76.2	3	76.2	3	36.5	1-7/16	573
914.4 x 457.2	36 x 18	914.4	36	76.2	3	50.8	2	41.3	1-5/8	756
914.4 x 508.0	36 x 20	914.4	36	76.2	3	76.2	3	41.3	1-5/8	779
914.4 x 609.6	36 x 24	914.4	36	76.2	3	76.2	3	41.3	1-5/8	836
914.4 x 762.0	36 x 30	914.4	36	76.2	3	76.2	3	41.3	1-5/8	927

AV. RENO LT 47 MZA 187, COL. LOS OLIVOS, ALCALDIA TLAHUAC, C.P. 13210, CDMX

TEL OFICINA: 557155.1175
557095.7419
MOVIL: 558813.3792

SITIO WEB: WWW.ALESMA.MX